

The Mini 8, a 15mm (1/2") gear-drive rotor, serves as the perfect in-between fit for your applications where the landscape is too big for sprays, but too small for a full-size rotor. When using a 15mm (1/2") rotor, you can water efficiently, thereby saving money (and water). The cost to irrigate is less and compared to fixed-sprays, it requires fewer stations to cover an area.

Add Mini 8 to your fixed spray and rotor offering and have all the tools you need to irrigate residential and commercial landscapes most efficiently and effectively.

Key Features

- Visible arc indication from the top of sprinkler, for infinite adjustments from 40° to 360°
- Five interchangeable nozzles – (comes pre-installed with a 1.5 nozzle)
- Part- and full-circle arcs in one sprinkler
- Stainless steel radius adjustment screw allows up to 25% reduction
- Pressure activated seal and robust trip mechanism for enhanced reliability
- Ratcheting riser for easy arc alignment

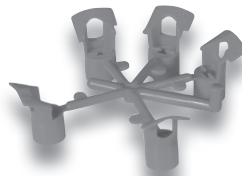
Specifications

Nozzle Performance

- Radius: 4.6-10.7m
- Flow rate: 3-11.3 Lpm
- Trajectory: 25°



Optional Check Valve

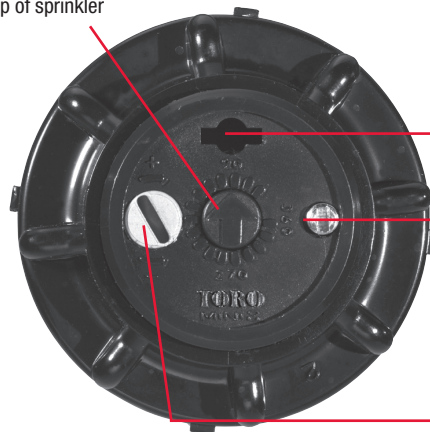


Nozzle Tree

Lawn Pop-up

- Flow rate: 3-11.3 Lpm
- Recommended operating pressure range: 240-350 kPa
- Maximum operating pressure: 410 kPa
- 15mm (1/2") female uni-threaded inlet
- Pop-up to nozzle: 95mm
- Dimensions:
 - Body diameter: 44mm
 - Cap diameter: 57mm
 - Height: 150mm

Visible arc indication from the top of sprinkler



Mini 8 Series Rotor

Dry pull-up slot

Radius adjustment screw

Infinite arc adjustment from 40° to 360°



Mini 8 Performance Data					
Nozzle	Pressure (kPa)	Flow (Lpm)	Radius (m)	Prec. Rate	
				△	□
.75	200	3.0	6.1	5.6	4.8
	250	3.3	6.3	5.8	5.0
	300	3.8	6.5	6.2	5.4
	350	4.6	6.7	7.1	6.1
1.0	200	4.2	7.9	4.7	4.0
	250	4.6	8.1	4.8	4.2
	300	5.2	8.3	5.2	4.5
	350	5.7	8.6	5.3	4.6
1.5*	200	4.5	8.8	4.0	3.5
	250	5.0	9.0	4.3	3.7
	300	5.6	9.3	4.5	3.9
	350	6.1	9.5	4.7	4.0
2.0	200	5.3	9.1	4.4	3.8
	250	6.0	9.3	4.8	4.2
	300	6.8	9.4	5.3	4.6
	350	7.7	9.4	6.0	5.2
3.0	200	8.7	10.3	5.7	4.9
	250	9.4	10.6	5.8	5.0
	300	10.4	10.7	6.3	5.4
	350	11.5	10.7	6.9	6.0

*Pre-installed nozzle. Radius shown in metres

△ Precipitation rates are for triangular spacing, shown in millimetres per hour, calculated at 50% of diameter.

□ Precipitation rates are for square spacing, shown in millimetres per hour, calculated at 50% of diameter.

All performance specifications are based on the stated working pressure available at the base of the sprinkler.

Lawn Pop-up Apex @ 280 kPa	
Nozzle	25°
	Maximum Height of Spray
0.75	0.95m
1.0	1.55m
1.5	2.04m
2.0	2.32m
3.0	2.32m

△ Precipitation rates are for triangular spacing, shown in millimetres per hour, calculated at 50% of diameter.

□ Precipitation rates are for square spacing, shown in millimetres per hour, calculated at 50% of diameter.

See precipitation rate calculation in Technical Section.

MINI 8 Ordering Information	
Code	Description
Mini8-4P	95mm Gear driven Pop-Up Sprinkler, 15mm FBSP base
102-2024	Adjustment Tool suit MINI8-4P
MINI8-CV	Check valve to suit MINI8-4P
102-3133	Nozzle rack suit MINI-8