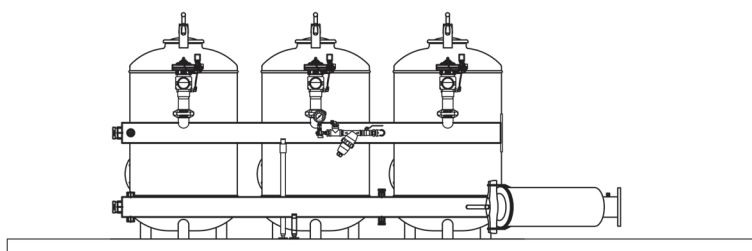
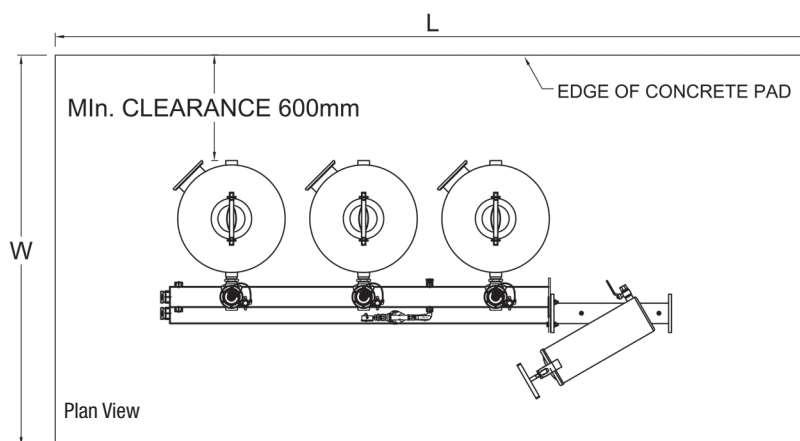


Exploded Side View of Tank

Typical Clear-Flo Media Filter Station. Station includes tanks, inlet and outlet manifold, back wash valves, associated manifold fittings, back-up strainer, manifold supports, hydraulic control assembly. Not included are: solenoids, controller, media, PD switch, controller support bracket, back wash line and associated fittings, air release valve.



Side View

Clear-Flo™ Media Filter Stations

Technical Data

Code	Manifold Diam. (mm)	Back-up Filter	Filtration Area (m ²)	No. of Tanks	Backwash Valve	Flow m ³ /h (45m/h) (12.5 L/s/m ²)	Flow m ³ /h (65m/h) (18 L/s/m ²)	Pad Size L x W (m x m)
101FSP0216	50 FBSP	F220M-80	0.25	2x400	2" x 2"	12	16	2.9 x 2.1
101FSP0316	80 FL	F230F-80	0.38	3x400	2" x 2"	18	24	3.7 x 2.2
101FSP0416	80 FL	F230F-80	0.50	4x400	2" x 2"	24	32	4.3 x 2.2
101FSP0220	80 FL	F230F-80	0.39	2x500	2" x 2"	18	30	3.3 x 2.2
101FSP0320	80 FL	F230F-80	0.59	3x500	2" x 2"	27	45	3.9 x 2.2
101FSP0420	100 FL	F240F-80	0.78	4x500	2" x 2"	36	60	4.7 x 2.3
101FSP0225	80 FL	F230F-80	0.63	2x635	2" x 2"	30	40	3.4 x 2.3
101FSP0325	100 FL	F240F-80	0.95	3x635	2" x 2"	45	60	4.3 x 2.4
101FSP0425	100 FL	F240F-80	1.27	4x635	2" x 2"	60	80	5.1 x 2.4
101FSP0230	100 FL	F240F-80	0.91	2x760	3" x 2"	40	60	3.8 x 2.4
101FSP0330	150 FL	F260F-80	1.37	3x760	3" x 2"	60	90	5.0 x 2.4
101FSP0430	150 FL	F260F-80	1.82	4x760	3" x 2"	80	120	6.0 x 2.4
101FSP0236	100 FL	F240F-80	1.31	2x900	3" x 2"	60	80	4.1 x 2.5
101FSP0336	150 FL	F260F-80	1.97	3x900	3" x 2"	90	120	5.4 x 2.5
101FSP0436	150 FL	F260F-80	2.63	4x900	3" x 2"	120	160	6.5 x 2.5
101FSP0348	200 FL	1014733F	3.50	3x1200	4" x 3"	150	225	5.7 x 3.2
101FSP0448	200 FL	1014733F	4.67	4x1200	4" x 3"	200	300	7.0 x 3.2
101FSP0548	250 FL	1014739F	5.84	5x1200	4" x 3"	250	375	8.5 x 3.2
101FSP0648	250 FL	1014739F	7.00	6x1200	4" x 3"	300	450	9.9 x 3.2

Note: The flow ranges given in these tables are indicative only. All filter selections must be based on de-rating the flow capacity to suit the grade of filtration required, the particle size and load and seasonal variations. Pad dimensions typically allow a minimum clearance of 600mm all around the filter assembly as per the diagram above.