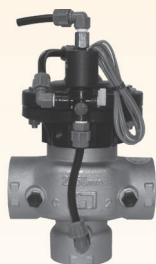
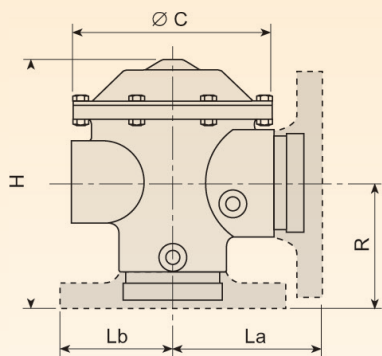


Applications

For use with Clear-Flo™ Sand Media Tanks. The valves provide three way operation for backwashing.

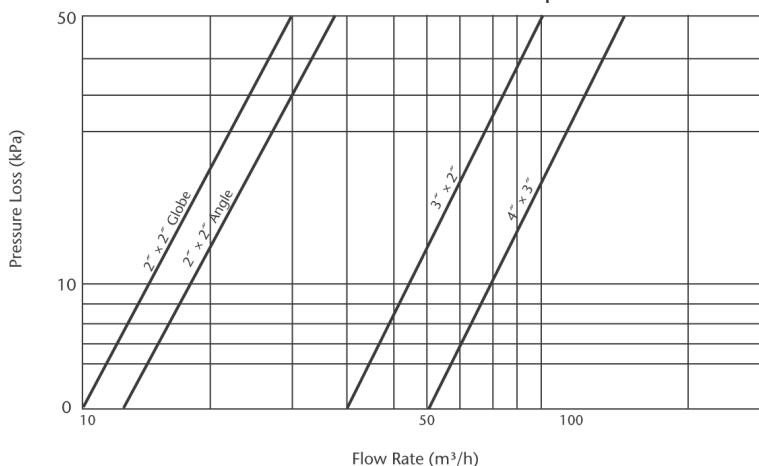
Features

- Unique diaphragm actuated plug assembly for smooth operation
- No rolling diaphragm
- Closes supply port before backflush port opens
- No supply water to waste
- High flow capacity



1014416
2" x 2" Clear-Flo™ 350 Series Valve
complete with 24 VAC coil

350 Series Head Loss Graph



Flow Rate (m³/h)

Specifications

| Valve Code | 1014416 | BFLV32 | BFLV43 |
|--------------------------------|---------------------------------|-------------------------------------|-------------------------------------|
| End Connections | 2" x 2" Victaulic | 3" x 3" Victaulic | 4" x 4" Victaulic |
| Flush Connections | 2" FBSP | 2" FBSP | 3" FBSP |
| Pressure Range | 70-1600 kPa | 70-1600 kPa | 70-1600 kPa |
| Maximum Temperature | 65° C | 65° C | 65° C |
| Valve Body | Brass | Polyester or epoxy coated Cast Iron | Polyester or epoxy coated Cast Iron |
| Separating Partition | Polyamide 6-30GF Black | n/a | n/a |
| Cover | Polyamide 6-30GF Black | Epoxy coated Cast Iron | Epoxy coated Cast Iron |
| Diaphragm | NR-AL52 Nylon Fabric reinforced | NR-AL52 Nylon Fabric reinforced | NR-AL52 Nylon Fabric reinforced |
| Seats, Diaphragm washers | Brass | Brass | Brass |
| Plug, Plug washer | Acetal Copolymer Black | Acetal Copolymer Black | Acetal Copolymer Black |
| Stopper Disk | PVC-U | n/a | n/a |
| Seal, O-Rings | NBR | NBR | NBR |
| Spring | Stainless steel 302 | n/a | n/a |
| Shaft | Stainless steel 303 | Stainless steel 303 | Stainless steel 303 |
| External Bolts, Nuts and Disks | Stainless steel | Stainless steel | Stainless steel |
| Chambers | Dual | Single | Single |

Dimensions and Weights

| | | | |
|-------------|-----|------|------|
| H (mm) | 205 | 225 | 277 |
| R (mm) | 75 | 103 | 123 |
| La (mm) | 75 | 120 | 152 |
| Lb (mm) | 75 | 92 | 125 |
| ØC (mm) | 126 | 181 | 245 |
| Weight (kg) | 3.7 | 10.0 | 21.0 |

* Allowable tolerance (3mm as grooved end connections are screwed into the valve body)

Ordering Information

| Code | Description |
|-----------|---|
| 1014416 | 2" x 2" Clear-Flo™ 350 Series Backwash Valve complete with 24VAC coil |
| 1014416LS | 2" x 2" Clear-Flo™ 350 Series Backwash Valve (no coil) |
| BFLV32 | 3" x 2" Clear-Flo™ 350 Series Victaulic Backwash Valve (no coil) |
| BFLV43 | 4" x 3" Clear-Flo™ 350 Series Victaulic Backwash Valve (no coil) |